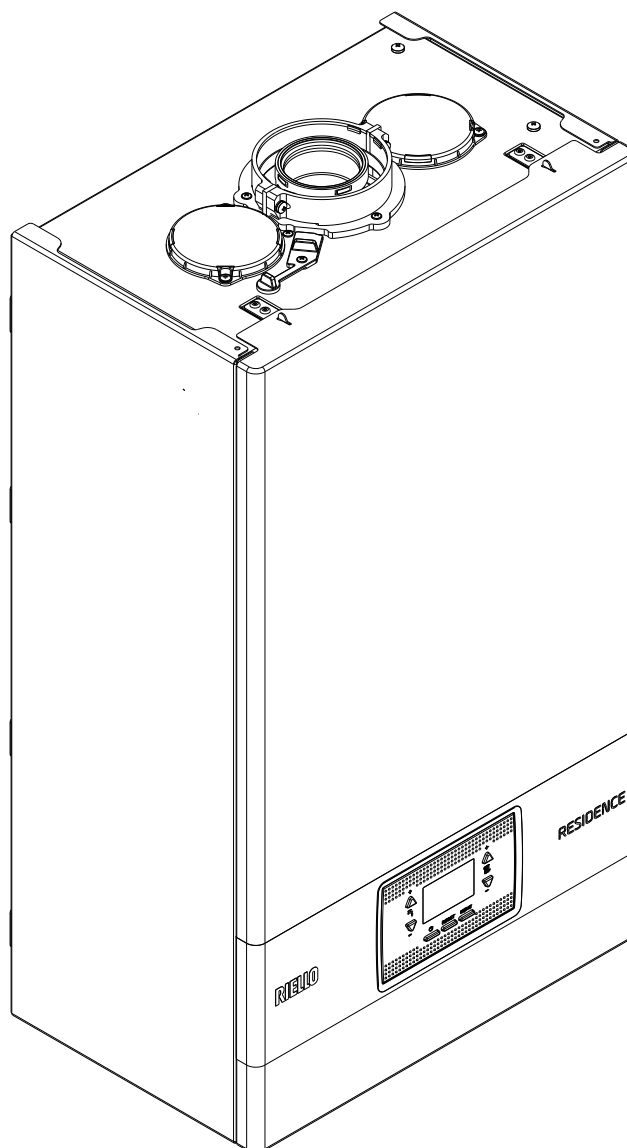
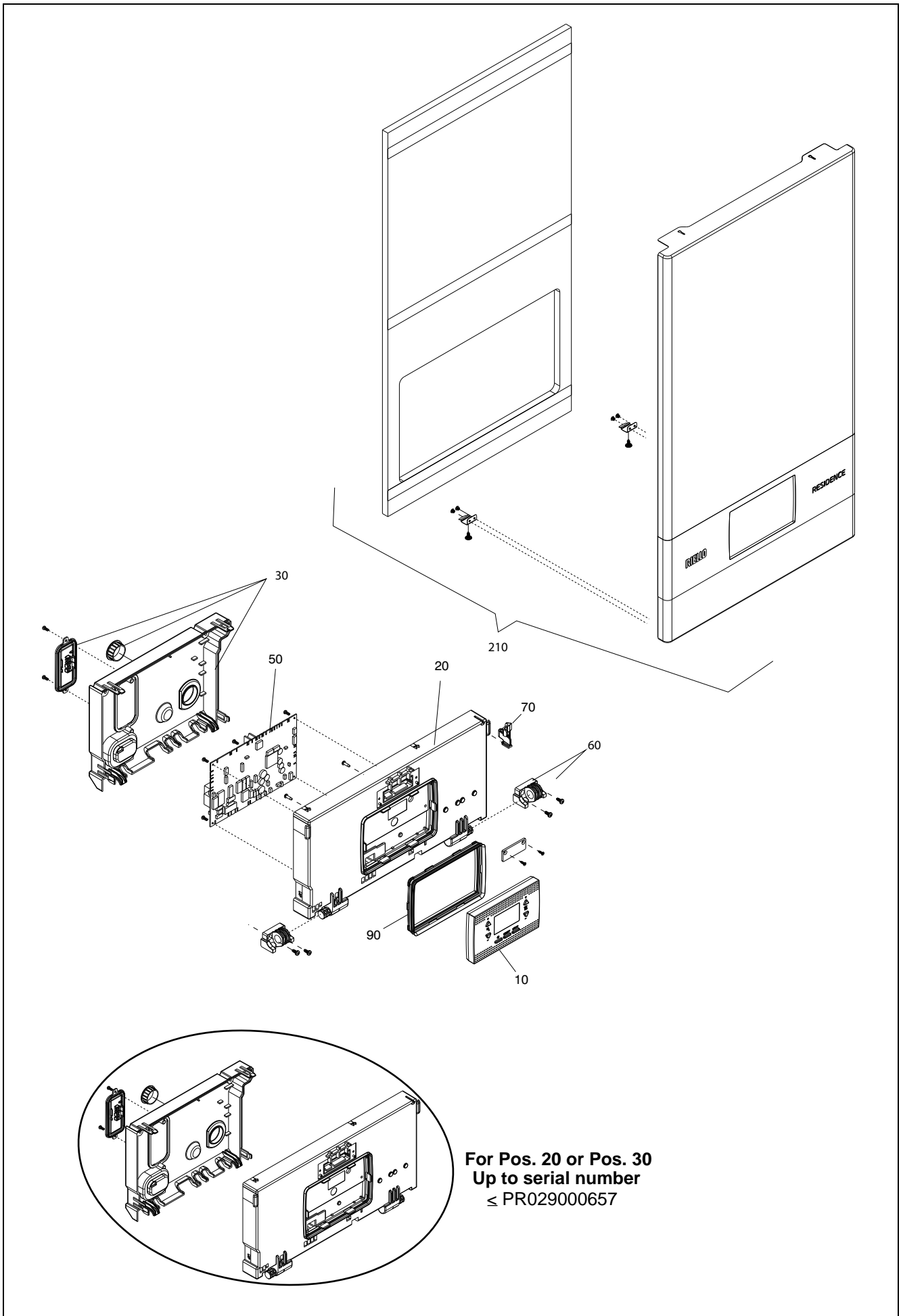


## Wall hung boilers

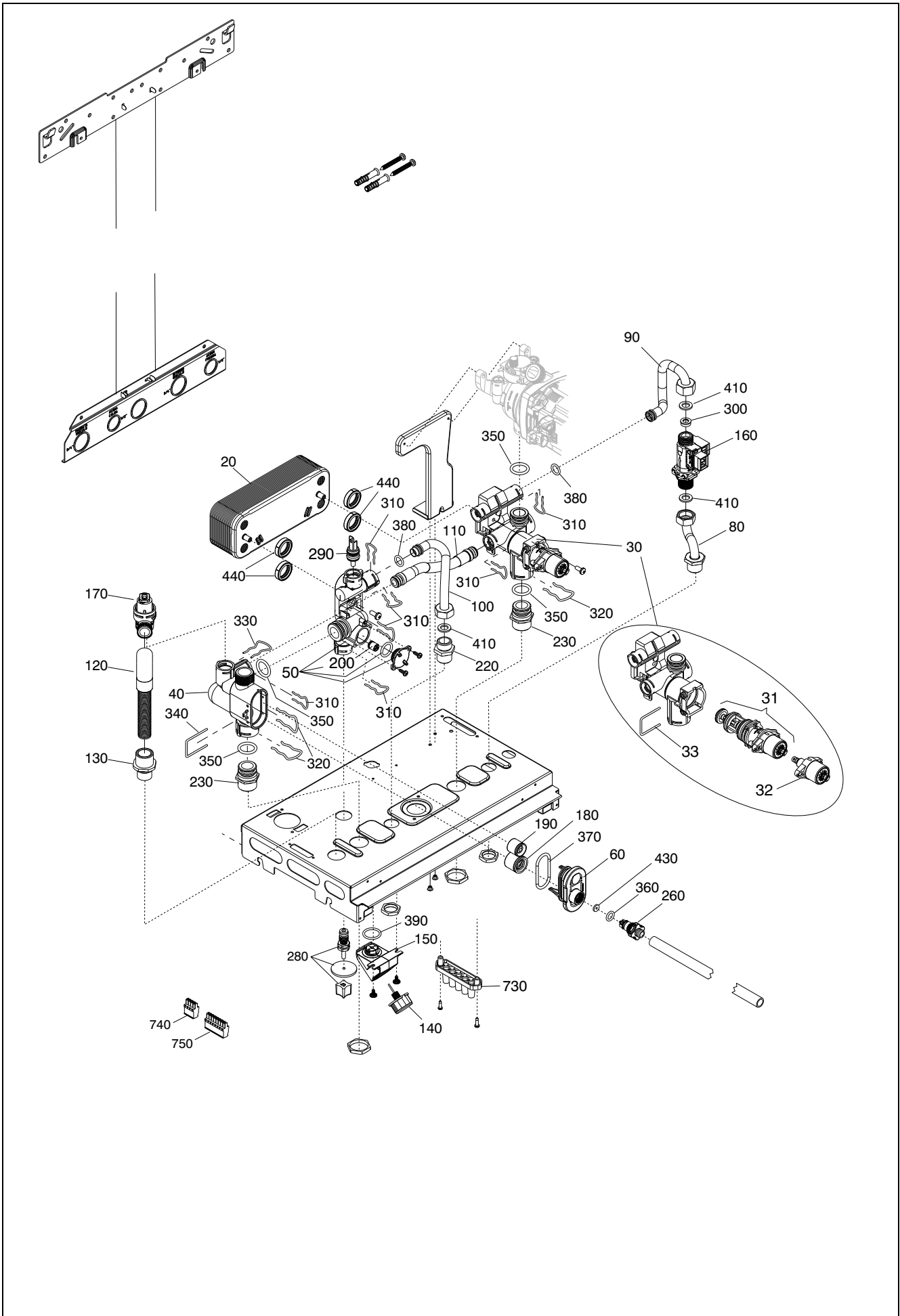
# RESIDENCE



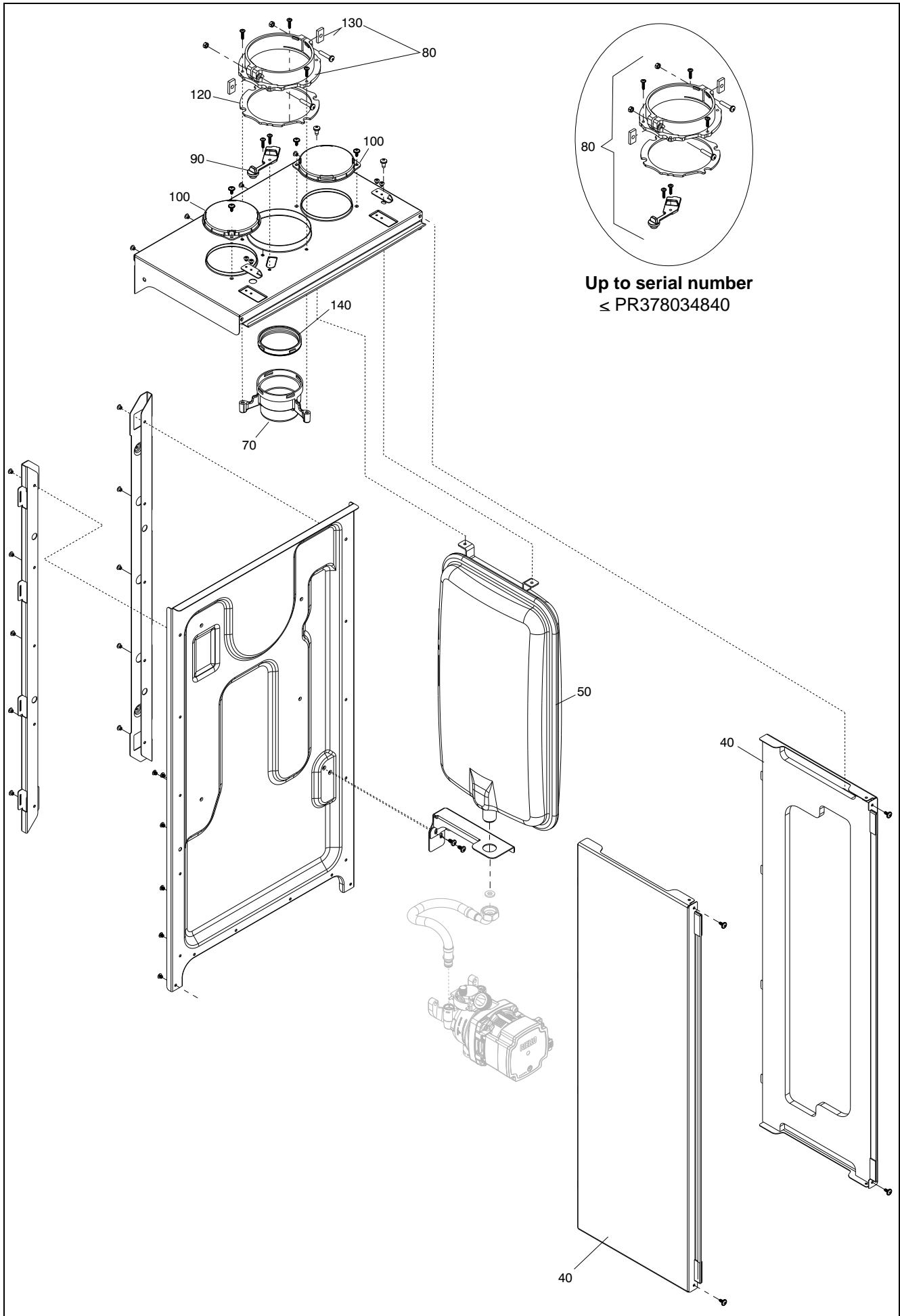
MODEL	PART NUMBER	
	MTN	GPL
<b>Residence 25 KIS</b>	<b>20139525</b>	-



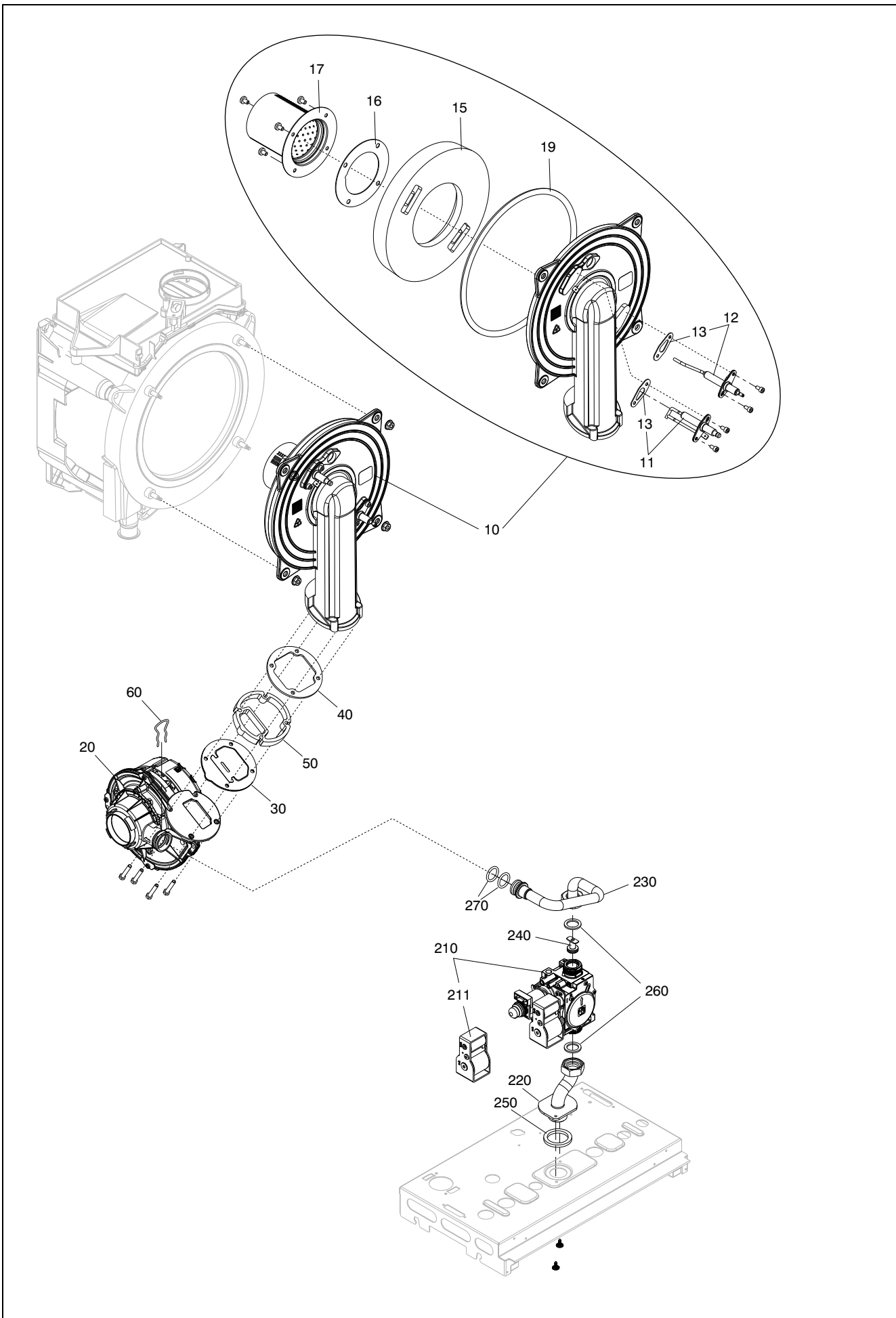
POS.	DESCRIPTION	25kis
10	User interface PCB	4R106929
20	Instrumental panel and cover (up to serial n. ≤ PR02900657)	4R107839
20	Instrumental plate (from serial n. ≥ PR02900658)	4R108175
30	Instrumental panel and cover (up to serial n. ≤ PR02900657)	4R107839
30	Electric parts cover (from serial n. ≥ PR02900658)	4R107838
50	Printed circuit board	4R106767
60	Rolling hinge	4R105512
70	Instrumental panel fastener	4R105513
90	Washer	4R105461
210	Front panel	4R105766



POS.	DESCRIPTION	25kis
20	Exchanger	4364201
30	Three-way valve	4R105459
31	Stepper actuator and cartridge	4R105515
32	Stepper actuator	4R105516
33	Clip	4R105517
40	By-pass casing	4365750
50	Filling joint	4R104664
60	Cover for by-pass assembly	4R105518
80	Pipe	4365736
90	Pipe	4365733
100	Pipe	4366917
110	Pipe	4365732
120	Valve discharge pipe	4R105462
130	Manifold	4R105487
140	Quick primer pressure gauge	4R105908
150	Water gauge carrier	4R105520
160	Dhw actuator	4R100477
170	Safety valve	4R001077
180	Non return valve	4365749
190	High head by-pass valve	4365043
200	Non return valve	4366134
220	Nipple	4365762
230	Fitting/union	4365763
260	Cock	4365752
280	Filling cock knob and washer	4R108020
290	NTC sensor	4365765
300	Flow governor	4365755
310	Clip	4365761
320	Clip	4365623
330	Clip	4365764
340	Clip	4365768
350	O-ring	4364282
360	O-ring	4365770
370	O-ring	4365769
380	O-ring	4365766
390	O-ring	4365406
410	Washer	4363391
430	Washer	4365771
440	Washer	4365767
730	Five positions fairlead	4R105529
740	Connector	4R107480
750	Connector	4R107481

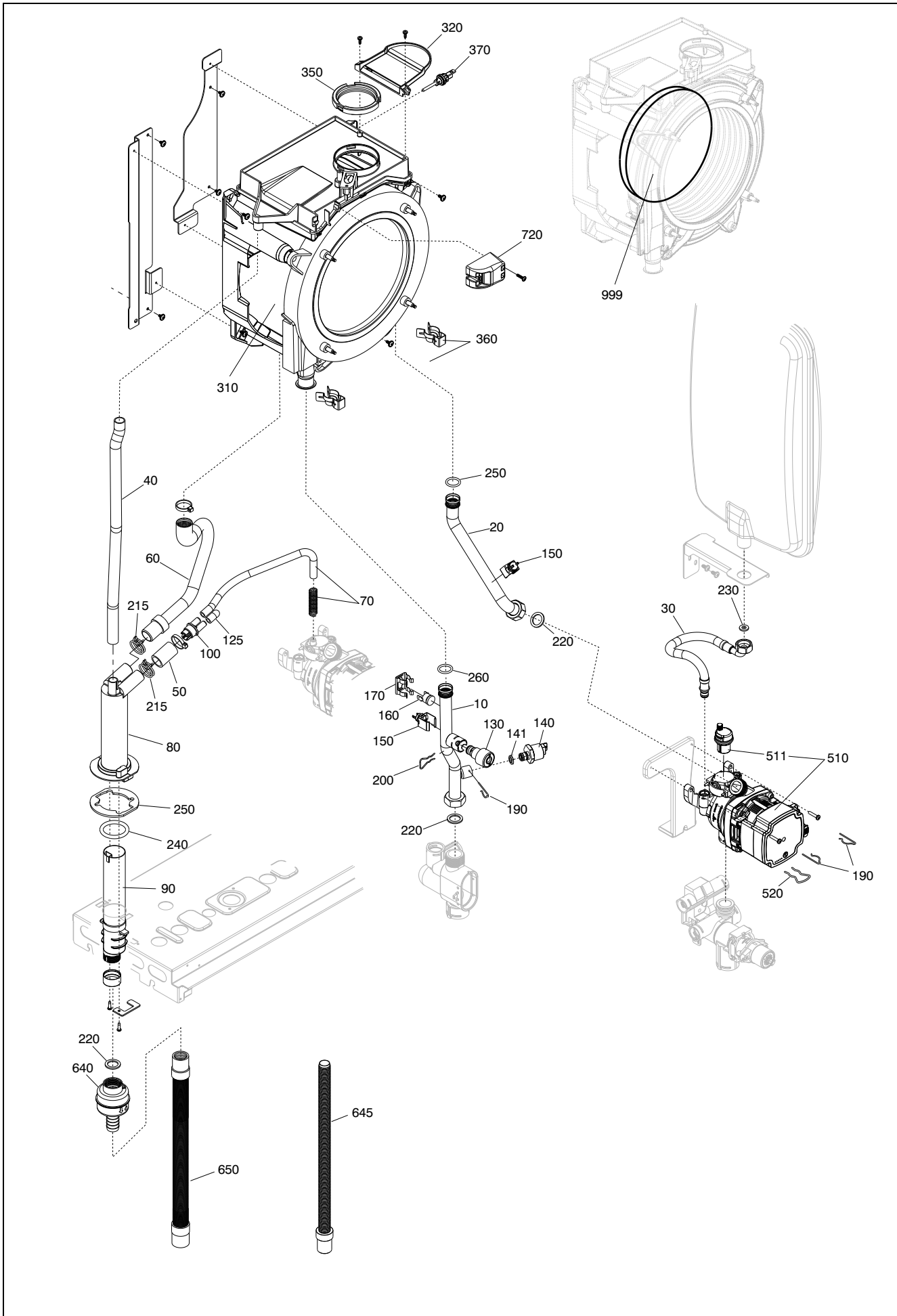


POS.	DESCRIPTION	25kis
40	Side panel	4R106926
50	9 lt. expansion tank	4R105768
70	Flue drain connection	4365881
80	Fumes flange kit (up to serial n. $\leq$ PR378034840)	4R107477
80	Fumes flange (from serial n. $\geq$ PR378034841)	4R107474
90	Cap smoke analysis	4R107476
100	Hole cover	4366888
120	Flange gasket (up to serial n. $\leq$ PR378034840)	4R105532
120	Flange gasket (from serial n. $\geq$ PR378034841)	4R107475
130	Flange gasket	4R105533
140	Washer $\varnothing$ 60	4365889

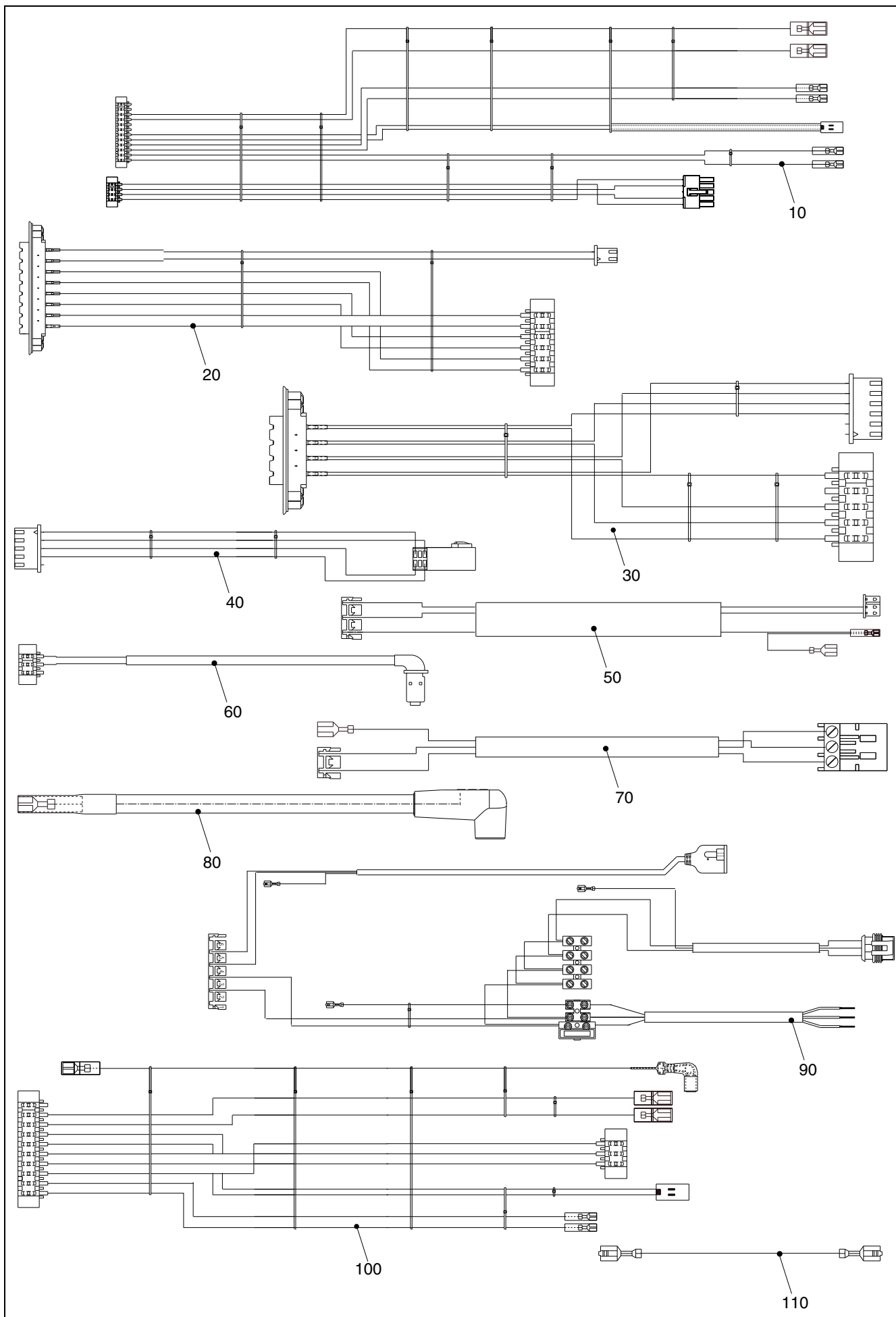




POS.	DESCRIPTION	25kis
10	Air/gas manifold	4R105498
11	Ignition electrode	4R105488
12	Sensing electrode	4R105484
13	Electrode seal	4R107482
15	Insulation panel	4R108321
16	Seal burner	4R105492
17	Premix burner	4R105489
19	Washer	4R105485
20	Integrated fan	4R105471
30	Non return valve	4R105493
40	Washer	4R105483
50	Spacer	4R105491
60	Clip	4365764
210	Antisticking gas valve	4R105535
211	Gas valve solenoid	4R000824
220	Pipe	4R105460
230	Pipe	4R105466
240	4.3Ø diaphragm	4R106928
250	Gasket	4R105534
260	Washer	4363389
270	Washer	4367112



POS.	DESCRIPTION	25kis
10	Pipe	4R108322
20	Pipe	4R105464
30	Flexible pipe	4R105470
40	Condensation outlet tube	4R105536
50	Pipe	4R105467
60	Condensing pipe	4R001150
70	Tube kit	4R105506
80	Trap upper body	4R105537
90	Trap lower body	4R105538
100	Adapter siphon condensate drain	4R105482
125	Plug	4R100599
130	Cock	4366392
140	Pressure transducer	4367069
141	O-ring	4364959
150	NTC Detector	4R101035
160	High limit thermostat	4366881
170	Clip	4363608
190	Clip	4364751
200	Clip	4366394
215	Hose clamp	4R106933
220	Washer	4363389
230	Washer	4363391
240	O ring	4R105539
250	Trap gasket	4R105540
260	O ring	4R106930
310	Condensing exchanger	4R105469
320	Rain coat for exchanger	4R105486
350	Washer Ø 60	4366238
360	Spring pipe	4366958
370	Flue sensor	4R105463
510	6m. H3 pump	4R105549
511	Air vent bottle	4365707
520	Clip	4365764
640	Safety float	4R105541
645	Pipe	4365759
650	Condensation outlet tube	4R102771
720	Ignition transformer	4366419
999	Retarder insulating panel	4R107776



POS.	DESCRIPTION	25kis
10	Combustion cable	4R106932
20	External utilities cable	4R107853
30	Bus wiring harness	4R106934
40	Three-way valve cable	4R105476
50	Flame wiring harness	4R105475
60	Pump cable (PWM)	4R105542
70	Fan wiring harness	4R105474
80	Ignition electrode wiring harness	4R105472
90	Power wiring harness	4R107478
100	Low tension cable	4R106927
110	Wiring harness	4R107479

<b>Rev.</b>	<b>data</b>	<b>Descrizione</b>
1.0	14/09/2018	aggiunta guarnizione elettrodo tavola 4 posizione13 E00120180601 : confezione viti e tasselli – E00120180662 : cablaggi E00120180394 : valvola by pass – E00120180275 : connettori 4 poli e 8 poli E00120180453 : flangia fumi, guarnizione, tappo presa analisi (con gestione matricola)
2.0	22/01/2019	E00120180726 : pannello isolante tavola 5 pos.999 E00120180864 : cruscotto , copertura posteriore parti elettriche (con gestione matricola) E00120190022 : cablaggio collegamento utenze esterne
3.0	10/04/2019	adeguato disegno valvola sicurezza tav. 2 pos. 170 E00120190188 : rubinetto riempimento – E001201900199 : cruscotto E001201900172 : pannello frontale con fascia grigia
4.0	31/07/2019	E001201900239 : rampa , tappo silicone , tubetto silicone E00120190322 : pannello isolante flangia bruciatore

---

# RIELLO

---

Riello reserve the right to change the specifications without prior notice.  
Consumers' statutory rights are not affected.